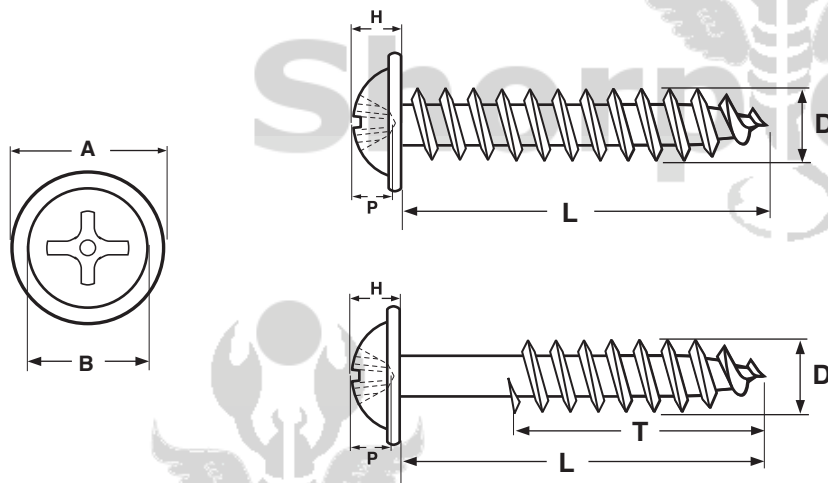


DEEP THREAD **Round Washer Head w/
Phillips Recess**



ROUND WASHER PHILLIPS RECESS DEEP THREAD WOOD SCREW												
Nominal Diameter	A		B	H		P		D		T		Recess Size
	Washer Diameter		Head Diameter	Total Head Height		Recess Depth		Major Diameter		Threaded Length		
	Max	Min	Ref	Max	Min	Max	Min	Max	Min	L ≤ 1"	L > 1"	
8	0.380	0.358	0.259	0.113	0.101	0.076	0.048	0.169	0.159	Full thread	2/3 thread	#2
Tolerance on Length		Up to 5/8"							+0 / -0.03			
		Over 5/8 to 1.5"							+0 / -0.05			
		Over 1.5 to 2.75"							+0 / -0.06			
		Over 2.75 to 5"							+0 / -0.09			

Description	An externally threaded fastener with a dome-shaped head and an integrally formed washer; a recess that can accommodate a Phillips screw-driver; and a single lead thread. The shank has a reduced diameter.
Applications / Advantages	The deeper thread design offers greater resistance to pull-out forces. The round washer head is preferable in softer woods and offers a greater bearing surface than a countersunk design. It is superior to countersunk or pan heads at pulling material together.
Material	C1022 case-hardened steel
Surface Hardness	Rockwell C 45 minimum
Case Depth	0.004" - 0.009"
Torque	#8 Diameter: 35 kg/cm minimum #10 Diameter: 50 kg/cm minimum
Plating	See Appendix-A for plating information