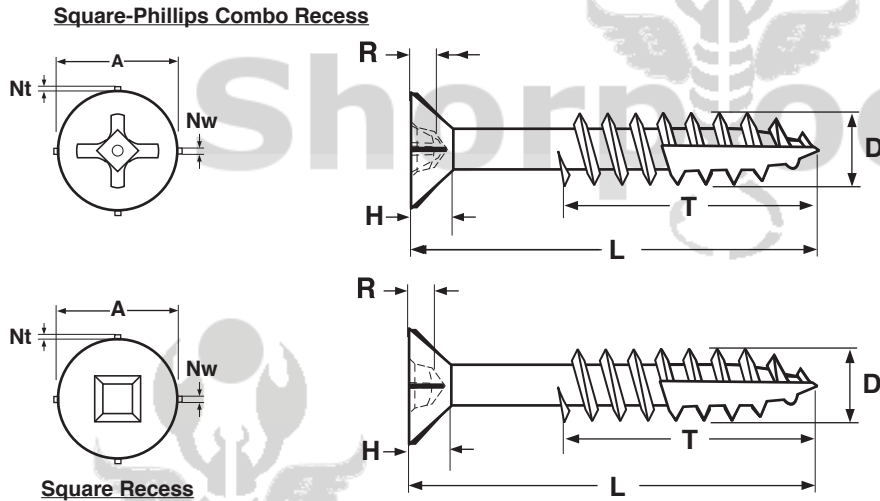


#9 Screw w/ #8 Flat Head w/ Combo Phillips/Square Recess **TYPE-17 DEEP THREAD**



| #9 DEEP THREAD WOOD SCREW—TYPE-17 WITH #8 FLAT HEAD WITH NIBS | | | | | | | | | | | | |
|--|-------------------|-------|-------------|-----------|---------------|---------------------------------|-------|----------------|------------|-----------------|------------|-------------------------------|
| Nominal Diameter | A | | H | Nw | Nt | R | | D | | T | | Phillips & Square Driver Size |
| | Head Diameter | | Head Height | Nib Width | Nib Thickness | Square Recess Penetration Depth | | Major Diameter | | Threaded Length | | |
| | Max | Min | Ref | Ref | Ref | Max | Min | Max | Min | L ≤ 1" | L > 1" | |
| 9 | 0.312 | 0.285 | 0.100 | 0.022 | 0.013 | 0.080 | 0.048 | 0.181 | 0.174 | Full thread | 2/3 thread | # 2 |
| Tolerance on Length | Up to 5/8" | | | | | | | | +0 / -0.03 | | | |
| | Over 5/8 to 1.5" | | | | | | | | +0 / -0.05 | | | |
| | Over 1.5 to 2.75" | | | | | | | | +0 / -0.06 | | | |
| | Over 2.75 to 5" | | | | | | | | +0 / -0.09 | | | |

| | |
|----------------------------------|--|
| Description | An externally threaded fastener with a countersunk head, crossed recess that will also accept a square driver bit, a single lead thread and a shank with a reduced diameter. The head diameter is 90% its normal size. The nibs on the underside of the head aid in the countersinking process by removing additional material. The shank has a reduced diameter and a chip cavity cut out where the final several threads end at the tip. |
| Applications / Advantages | The deeper thread design offers greater resistance to pull-out forces. The nibs on the bearing surface of the head helps the screw seat flush. The type-17 point enables faster starting. The recess design allows for multiple drive tools. Popular use is in cabinet assembly. |
| Material | C1022 case-hardened steel |
| Surface Hardness | Rockwell C 45 minimim |
| Case Depth | 0.004" - 0.009" |
| Torque | |
| Plating | See Appendix-A for plating information |