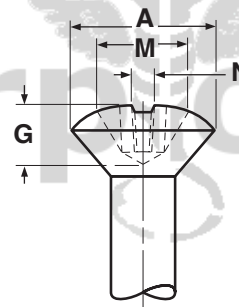
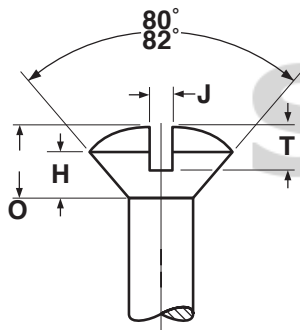


## ROUND HEADS FOR WOOD SCREWS

ASME B18.6.1

Nominal Size	A		H		J		T		M		G		Phillips Driver Size	
	Head Diameter		Height of Head		Width of Slot		Depth of Slot		Dimensions of Recess					
	Max	Min	Max	Min	Max	Min	Max	Min	Diameter		Depth			Width
2	.162	.146	.069	.059	.031	.023	.048	.037	.114	.101	.064	.042	.018	1
4	.211	.193	.086	.075	.039	.031	.058	.044	.130	.117	.083	.063	.019	1
5	.236	.217	.095	.083	.043	.035	.063	.047	.154	.141	.074	.046	.027	2
6	.260	.240	.103	.091	.048	.039	.068	.051	.162	.149	.084	.056	.027	2
7	.285	.264	.111	.099	.048	.039	.072	.055	.170	.157	.092	.066	.028	2
8	.309	.287	.120	.107	.054	.045	.077	.058	.178	.165	.101	.075	.030	2
9	.334	.311	.128	.115	.054	.045	.082	.062	.186	.173	.110	.084	.030	2
10	.359	.334	.137	.123	.060	.050	.087	.065	.195	.182	.119	.093	.031	2
12	.408	.382	.153	.139	.067	.056	.096	.073	.249	.236	.125	.099	.032	3
14	.457	.429	.170	.155	.075	.064	.106	.080	.265	.252	.142	.116	.034	3



## OVAL HEADS FOR WOOD SCREWS

ASME B18.6.1

Nominal Size	A		H	O		J		T		M		G		Phillips Driver Size	
	Head Diameter		Side Height	Height of Head		Width of Slot		Depth of Slot		Dimensions of Recess					
	Max	Min		Ref	Max	Min	Max	Min	Max	Min	Diameter		Depth		Width
4	.225	.195	.067	.104	.084	.039	.031	.059	.049	.136	.123	.094	.077	.019	1
5	.252	.220	.075	.116	.095	.043	.035	.067	.055	.158	.145	.085	.061	.028	2
6	.279	.244	.083	.128	.105	.048	.039	.074	.060	.178	.165	.105	.080	.030	2
8	.332	.292	.100	.152	.126	.054	.045	.088	.072	.205	.192	.131	.106	.033	2
9	.358	.316	.108	.164	.137	.054	.045	.095	.078	.216	.203	.144	.119	.034	2
10	.385	.340	.116	.176	.148	.060	.050	.103	.084	.261	.248	.142	.118	.037	3
12	.438	.389	.132	.200	.169	.067	.056	.117	.096	.283	.270	.165	.140	.040	3